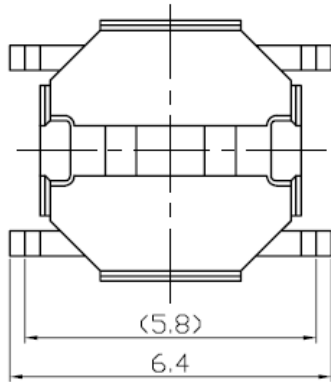
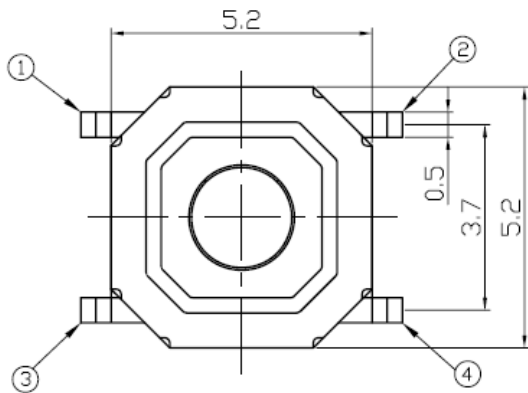
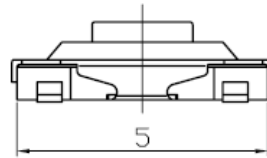
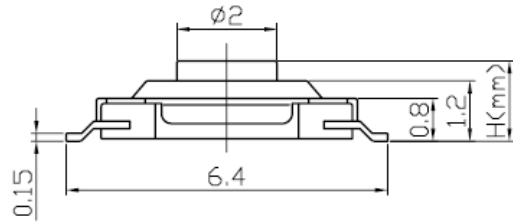
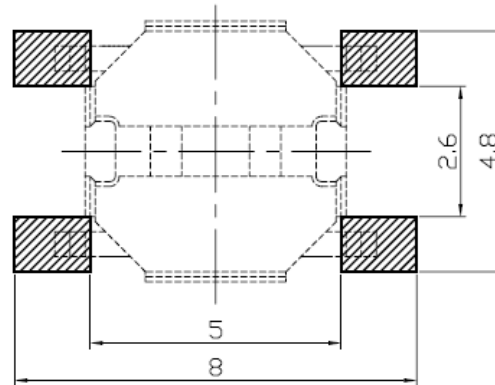


# DIMENSIONS



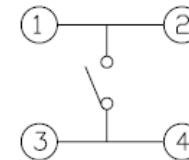
P.C.B MOUNTING PATTERN DIMENSION  
The following soldering patterns are recommended for reflow soldering



## SPECIFICATIONS :

1. RATING : DC 12V, 50mA Max
2. CIRCUIT : 1C – 1P
3. OPERATING FORCE : **160±30gf(N)** or 250±50gf(R)
4. CONTACT RESISTANCE : 100mΩ Max
5. TRAVEL : 0.25±0.1 mm
6. LIFE : 100,000 Cycles Min

## CIRCUIT DIAGRAM



F	3.0
E	1.6
D	1.7
C	2.3
B	4.3
A	1.5
H	mm


 銓基電子股份有限公司  
 ROKI ELECTRONICS CO., LTD.

PART NAME : TACT SWITCH

PART NO : TS10M-□□-PF

TOLERANCE : ±0.3 mm

SCALE :

UNIT : mm

VER : R03

